

PROFESSIONAL LAUNDRY EQUIPMENT

WE 73
WE 95
WE 132
WE 165
WE 181
WE 234s
WE 304





WE 73 - 95 - 132 - 165 - 181 - 234s - 304

Door

- Easy loading & unloading
- Over-dimensioned hinges
- Stainless steel with a matt finish!



PVC connection

- Simple and efficient connection of the soap pumps



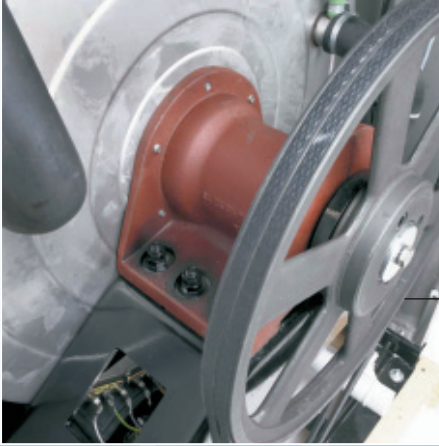
Connection from the soap box to the tub

- Connection at the back of the tub
- No aggressive detergents directly on the linen
- Less noise

Doorhandle

- A new safe and comfortable doorhandle
- Interchangeable with the previous model

IPSO: G-DRIVING THE INDUSTRY



Bearing house

- Oversized industrial bearing house
- Single piece of cast iron
- Rigid support to the basket
- High quality industrial bearings
- Axial sealing made out of graphite



Famous A-frame construction

- Conducts the vibrations straight into the ground
- The frame is made of structural steel that is welded





WE 73 - 95 - 132 - 165 - 181 - 234s - 304



MICRO 20

- With plugs: easy to service
- Up to 99 programs
- Temperature and water level freely programmable
- Time delay start-up feature

MICRO 20 coin

- Up to 20 programs

SIGMA

- Same features as Micro 20
- Infra-red port: easy downloading of programs from laptop
- Serial port RS 485: machines can be put in a network
- 1000 programmable sections divided over 100 programs

SIGMA coin

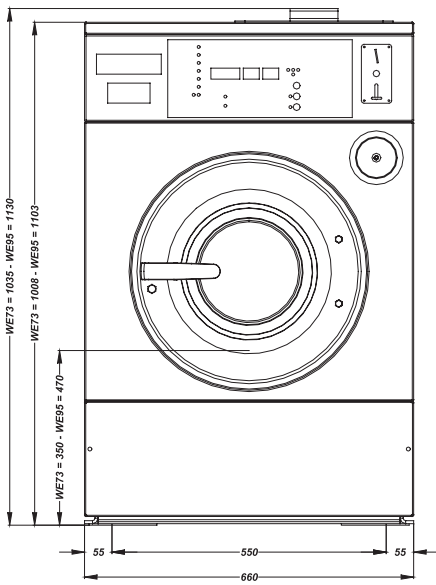
- Alarm can be activated



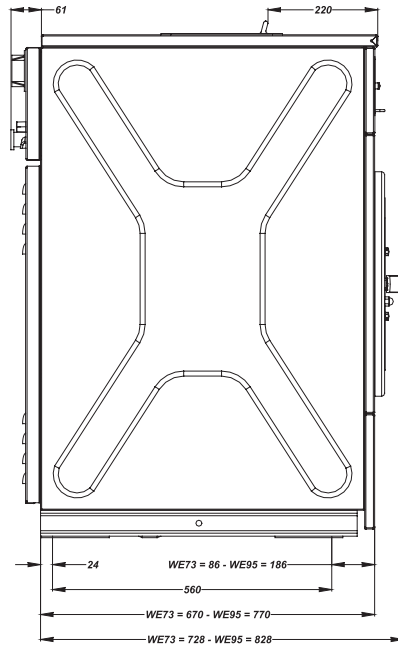
PS40

- Freely programmable
- 10 standard programs
- 40 freely programmable wash programs
- Temperature, water level, cycle time and rpm freely programmable
- Connection up to 12 pumps for liquid soap
- Control of 2 drain valves (option)
- Infra-red port facilitates the downloading of programs

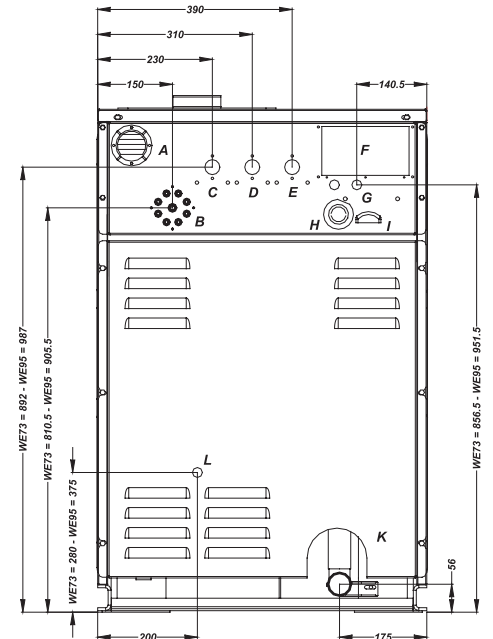
front view WE 73-95



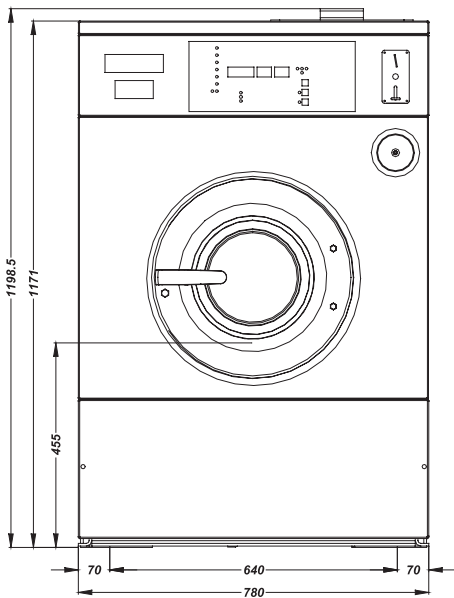
side view WE 73-95



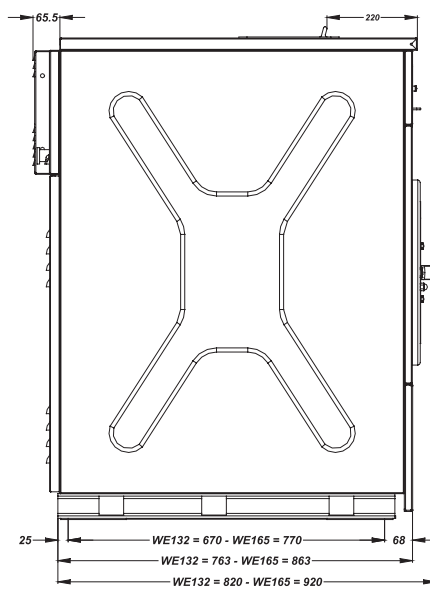
rear view WE 73-95



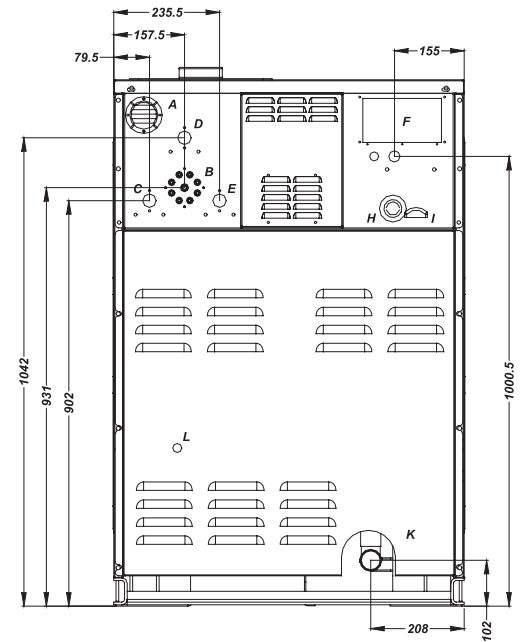
front view WE 132-165



side view WE 132-165



rear view WE 132-165



- A. Ventilation
- B. Liquid soap connections
- C. Hard water connection
- D. Warm water connection

- E. Soft water connection
- F. Connection clamps
- G. Electrical connection
- H. Emergency button

- I. Ventilation
- J. Bolt pattern for fixation
- K. Drain valve
- L. Steam connection

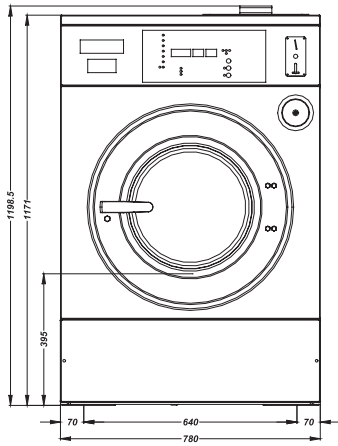
TECHNICAL SPECIFICATIONS WE 73 - 95 - 132 - 165

		WE 73	WE 95	WE 132	WE 165				
Cylinder	Capacity 1/10 (kg)	7.3	9.5	13.2	16.5				
	Volume (L)	73	95	132	165				
	Diameter (mm)	530	530	650	650				
	Depth (mm)	345	440	400	500				
	Perforations diam. (mm)	3**	3	3**	3**				
Door opening diam. (mm)		300	300	300	300				
Speed	Spin (rpm)	525	525	525	500				
	Wash (rpm)	50	50	50	50				
G-Force		82	82	88	91				
Kinetic energy of the cylinder (N)		333	433	648	810				
Dynamic bottom load (N/7Hz)		8874	11548	14700	18250				
Power motor (kW)		0.37	0.55	1.1	1.3				
Water pressure (bar)		3 – 5	3 – 5	3 – 5	3 – 5				
Hot water temp. (° C)		80	80	80	80				
Warm water need (Boiler fed machine) (L/cycle)		65	80	120	140				
Diameter drain (mm/")		50 / 2	50 / 2	50 / 2	50 / 2				
Drain by gravity (L/min)		80	80	80	80				
Steam pressure (kg)		6 to 10	6 to 10	6 to 10	6 to 10				
Weight	Nett (kg)	170	178	235	245				
	Gross (kg)	225	230	290	315				
Packing dimensions	Height (mm)	1140	1250	1310	1310				
	Width (mm)	740	740	850	850				
	Depth (mm)	840	950	940	1030				
	Volume (m³)	0.71	0.88	1.05	1.15				
Type of heating		POWER SUPPLY – FUSES							
		230V 3AC	400V tri+N	230V 3AC	400V tri+N	230V 3AC	400V tri+N	230V 3AC	400V tri+N
Boiler fed		16A	16A	16A	16A	16A	16A	16A	16A
Steam heating		16A	16A	16A	16A	16A	16A	16A	16A
Electrical heating	4.2 kW	16A	16A	16A	16A	16A	16A		
Electrical heating	6 kW	16A	16A	16A	16A	16A	16A		
Electrical heating	9 kW	25A*	16A*	25A*	16A*	25A	16A	25A	16A
Electrical heating	12 kW	40A	20A	40A	20A	40A*	20A*	40A	20A
Electrical heating	15 kW					50A	25A	50A	25A
Electrical heating	18 kW					50A	32A	50A*	32A*
Electrical heating	21 kW					40A		40A	
Electrical heating	24 kW					40A		40A	

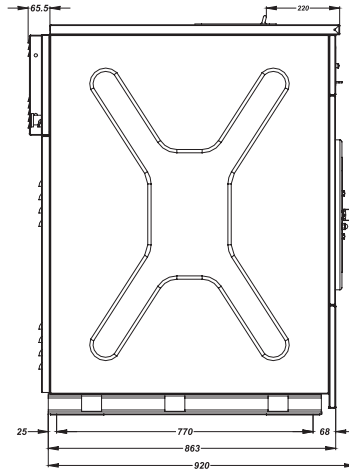
All specifications subject to change without notice

[*] Standard heating
[**] Option: 9 mm

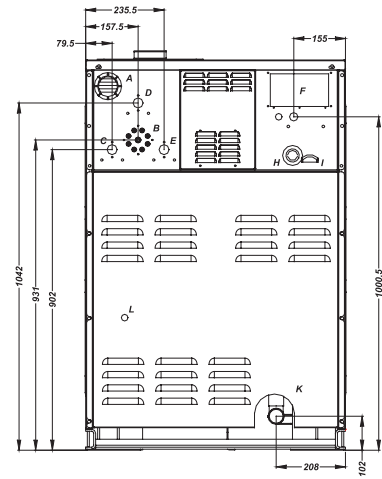
front view WE 181



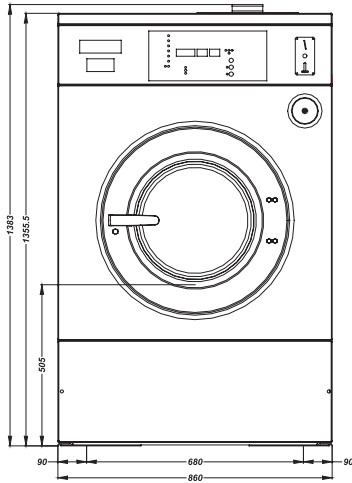
side view WE 181



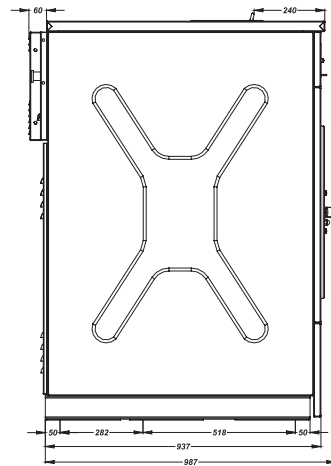
rear view WE 181



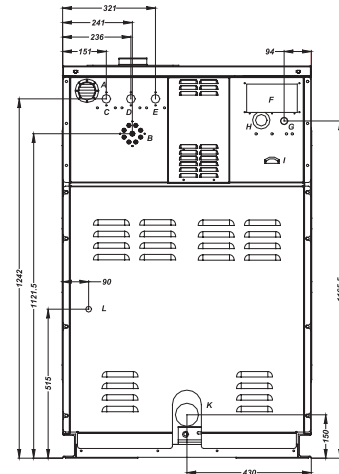
front view WE 234s



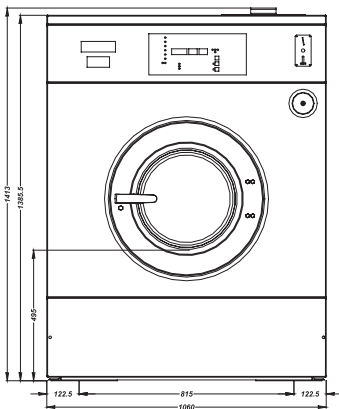
side view WE 234s



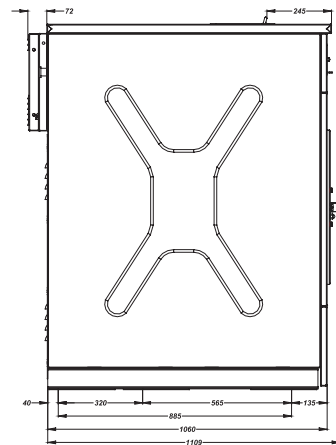
rear view WE 234s



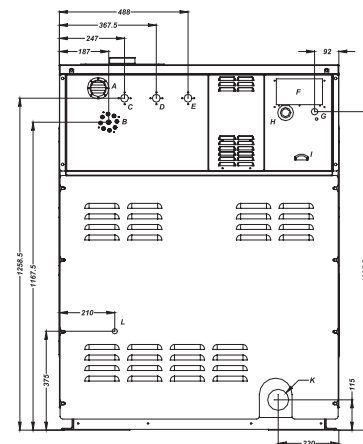
front view WE 304



side view WE 304



rear view WE 304



- A. Ventilation
- B. Liquid soap connections
- C. Hard water connection
- D. Warm water connection

- E. Soft water connection
- F. Connection clamps
- G. Electrical connection
- H. Emergency button

- I. Ventilation
- J. Bolt pattern for fixation
- K. Drain valve
- L. Steam connection

TECHNICAL SPECIFICATIONS WE 181 - 234s - 304

		WE 181	WE 234s	WE 304			
Cylinder	Capacity 1/10 (kg)	18.1	23.4	30.4			
	Volume (L)	181	234	304			
	Diameter (mm)	680	760	850			
	Depth (mm)	500	530	537			
	Perforations diam. (mm)	3	3**	3			
Door opening diam. (mm)		400	400	400			
Speed	Spin (rpm)	500	550***	500			
	Wash (rpm)	50	50	50			
G-Force		91	128	118			
Kinetic energy of the cylinder (N)		888	1661	1661			
Dynamic bottom load (N/7Hz)		20019	28963	28963			
Power motor (kW)		1.3	2	3			
Water pressure (bar)		3 - 5	3 - 5	3 - 5			
Hot water temp. (° C)		80	80	80			
Warm water need (Boiler fed machine) (L/cycle)		145	150	180			
Diameter drain (mm/")		50 / 2	50 / 2	75 / 3			
Drain by gravity (L/min)		80	160	160			
Steam pressure (kg)		6 to 10	6 to 10	6 to 10			
Weight	Nett (kg)	308	481	620			
	Gross (kg)	368	520	684			
Packing dimensions	Height (mm)	1310	1530	1580			
	Width (mm)	850	980	1120			
	Depth (mm)	1030	1140	1280			
	Volume (m³)	1.15	1.71	2.27			
Type of heating		POWER SUPPLY - FUSES					
		230V 3AC	400V tri+N	230V 3AC	400V tri+N	230V 3AC	400V tri+N
Boiler fed		16A	16A	16A	16A	16A	16A
Steam heating		16A	16A	16A	16A	16A	16A
Electrical heating 9 kW		25A	16A	25A	16A	25A	16A
Electrical heating 12 kW		40A	20A	40A	20A		
Electrical heating 15 kW		50A	25A	50A	25A		
Electrical heating 18 kW		50A*	32A*	50A*	32A*	50A*	32A
Electrical heating 21 kW			40A		40A		40A
Electrical heating 24 kW			40A		40A		40A*
Electrical heating 30 kW							40A

All specifications subject to change without notice

(*) Standard heating

(**) Option: 9mm

(***) Option: high spin: 650rpm (G-Force: 179)



IPSO-LSG NV, NIEUWSTRAAT 146, B-8560 WEVELGEM (BELGIUM) TEL +32 56/41 20 54 - FAX +32 56/41 86 74

info@ipso.be - WWW.IPSO.BE



IPSO
- the commercial laundry division in
LSG, Laundry Systems Group