



# IY65 - IY80 - IY105 - IY135

## High efficient softmount washer-extractors

**INDUSTRIAL  
BY DESIGN**

### Features

- Freestanding, high spin (up to 1165 RPM – IY 65/80)
- Stainless steel top and front panel, black side panels
- Stainless steel drum and tub
- Aries - easy to use microprocessor
- Patented soap hopper
- Large drain valve (Ø76 mm)
- Easy access to all vital parts from the front
- Large door opening for easy loading & unloading

### Options

- Aries Elite - Fully programmable
- Coin operated
- Stainless steel side panels
- USB plug (on the back panel)
- Liquid soap connection
- Liquid soap pumps
- Water recovery kit
- Steam heating version
- Drain pump (IY65/80)
- 3rd water inlet



ERGONOMICAL  
CONSTRUCTION



LARGE DOOR  
OPENING



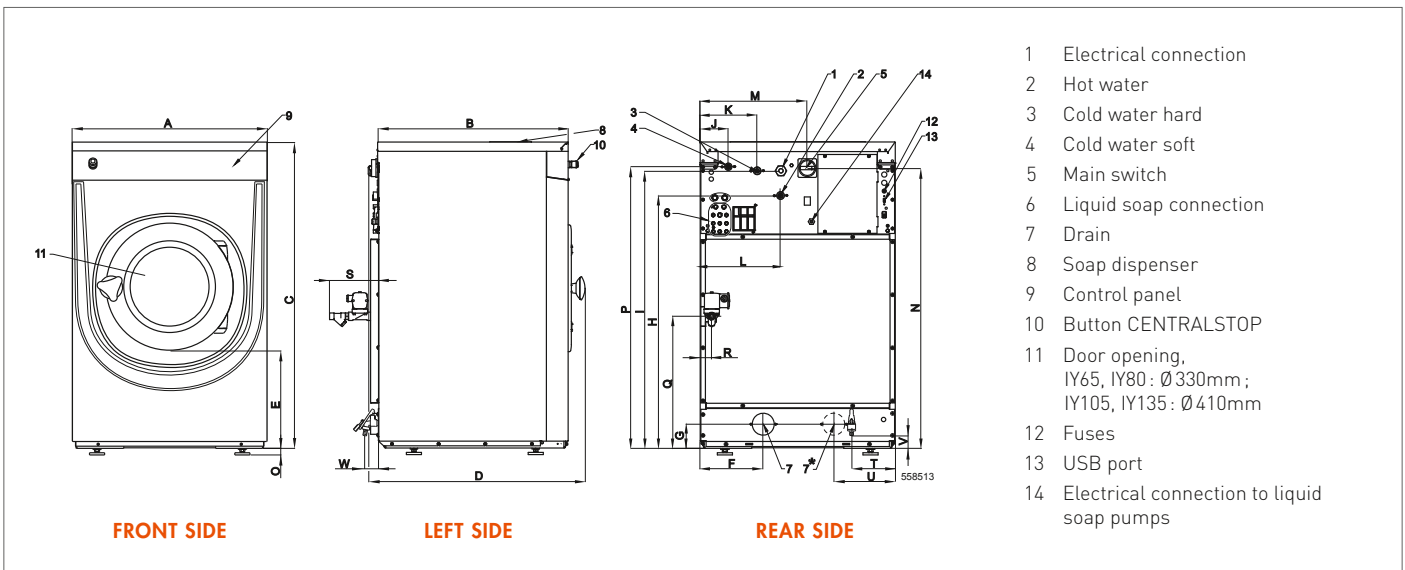
LOW WATER  
CONSUMPTION



LOW ENERGY  
CONSUMPTION

# IY65-IY80-IY105-IY135

TYPE		IY65	IY80	IY105	IY135
<b>INNERDRUM</b>					
capacity	kg	7	8	11	14
volume	l	65	75	105	135
diameter	mm	530	530	620	620
<b>DRUM SPEED</b>					
wash	rpm	49	49	49	49
extraction	rpm	1086 (350 G)-1165 (400 G)	1086 (350 G)-1165 (400 G)	1005 (350 G)-1075 (400 G)	1005 (350 G)-1075 (400 G)
G-FACTOR		350 (optional 400)	350 (optional 400)	350 (optional 400)	350 (optional 400)
<b>HEATING</b>					
electricity	kW	6	6	9	12
steam	bar	1 - 8	1 - 8	1 - 8	1 - 8
hot water	°C	90	90	90	90
<b>SOUND PRESSURE LEVEL</b>					
	dB (A)	< 65	< 65	< 65	< 65
<b>WATER VALVES CONNECTION</b>					
	BSP	3/4"	3/4"	3/4"	3/4"
<b>WATER PRESSURE</b>					
	kPa	100-800	100-800	100-800	100-800
<b>REC. WATER PRESSURE</b>					
	kPa	300-500	300-500	300-500	300-500
<b>WATER INLET</b>					
	l/min	20	20	20	20
<b>DRAIN VALVE OUTER</b>					
	Ø mm	76	76	76	76
<b>FLOW AMOUNT WITH DRAIN VALVE</b>					
	l/min	210	210	210	210
<b>STEAM VALVE CONNECTION</b>					
	BSP	1/2"	1/2"	1/2"	1/2"
<b>STEAM PRESSURE</b>					
	kPa	100-800	100-800	100-800	100-800
<b>DIMENSIONS HxWxD</b>					
	mm	1115 x 710 x 740	1115 x 710 x 790	1225 x 795 x 795	1225 x 795 x 945
<b>TRANSPORT DATA</b>					
gross	kg	180	200	235	275
net	kg	170	185	210	255
packed HxWxD	mm	1245 x 750 x 840	1245 x 750 x 840	1345 x 835 x 840	1345 x 835 x 985



## DIMENSIONS

	A	B	C	D	E	F	G	H	I	J	K	L	M	N	O
IY65	710	740	1115	676	349	230	82	914	1004	113	218	293	390	1020	24
IY80	710	790	1115	726	349	230	88	920	1010	113	218	293	390	1020	24
IY105	795	795	1225	761	342	230	88	1030	1120	103	208	293	475	1130	24
IY135	795	945	1225	911	342	230	88	1030	1120	103	208	293	475	1130	24
	width	depth	height												

IY80		
WATER CONSUMPTION	l/kg	7,2
ELECTRICITY CONSUMPTION	kWh/kg	0,19

\* Program No 11